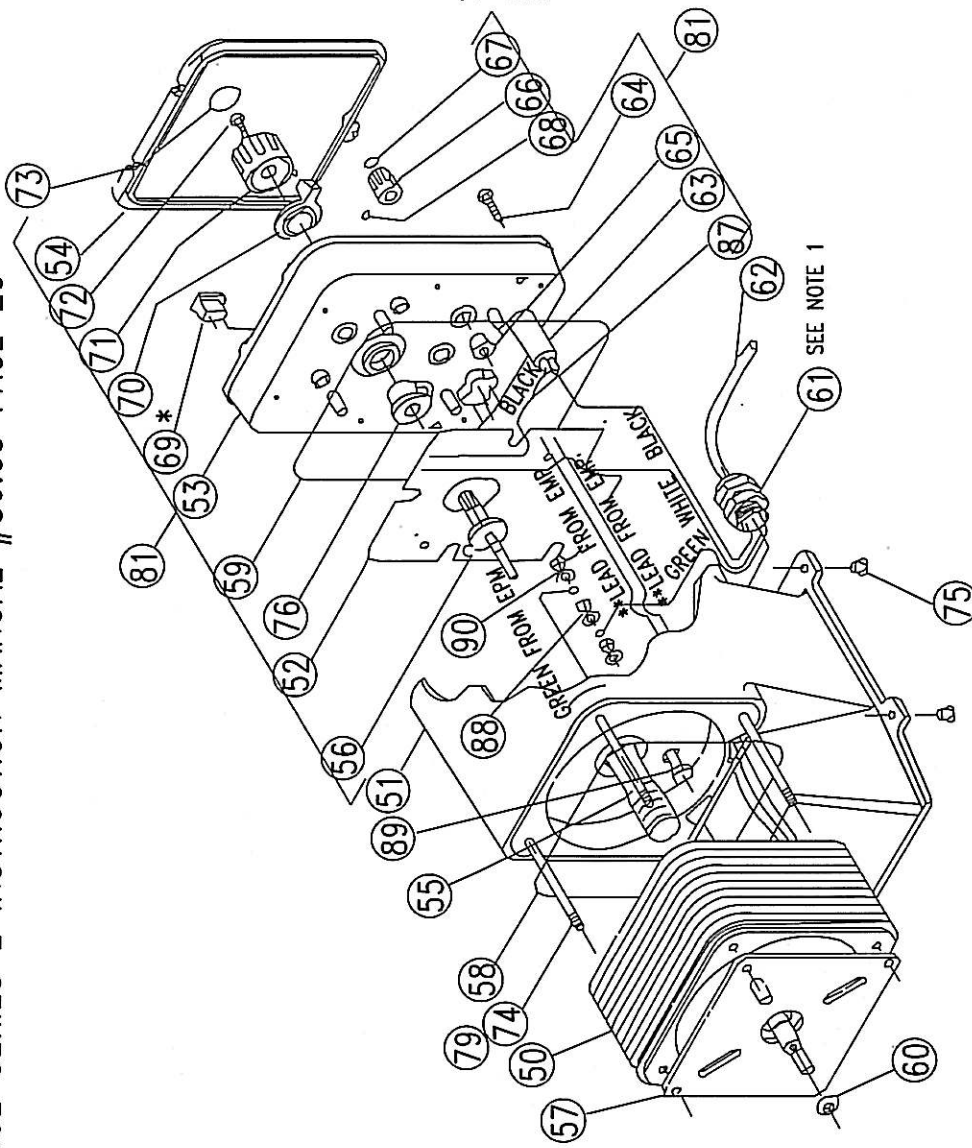


ITEM	QTY.	PART NAME
50	1	ELECTRONIC POWER MODULE (EPM)
51	1	HOUSING
52	1	ELECTRONIC CONTROL BOARD
53	1	CONTROL PANEL
54	1	DUST COVER ASSEMBLY
55	1	FEMALE ADJUSTMENT SHAFT
56	1	MALE ADJUSTMENT SHAFT
57	1	EPM RETAINING PLATE
58	1	EPM/HOUSING O-RING
59	1	CONTROL PANEL O-RING
# 60	1	SECONDARY SEAL
61	1	STRAIN RELIEF
62	1	POWER CORD
63	1	CIRCUIT BREAKER
64	5-6	CONTROL PANEL SCREW
65	1-2	GROMMET, STROKE RATE
66	1-2	KNOB, STROKE RATE
67	1-2	KNOB STICKER, STROKE RATE
68	1-2	KNOB SET SCREW
* 69	2	PIN PLUG
70	1	LOCKING TAB
71	1	KNOB, STROKE LENGTH
72	1	KNOB, MOUNTING SCREW
73	1	KNOB STICKER, STROKE LENGTH
74	4	EPM MOUNTING SCREW
75	4	FOOT PAD
76	1	GROMMET, STROKE LENGTH
77	1	PANEL LABEL (NOT SHOWN)
79	4	EPM MOUNTING WASHER
81	1	CONTROL PANEL ASSEMBLY
* 84	1	STOP/FCFN LABEL (NOT SHOWN)
* 85	2	STOP/FCFN CORDS (NOT SHOWN)
87	1	JUMPER WIRE
88	3	GROUND LUG NUT
89	1	GROUND LUG BOLT
90	3	GROUND LUG WASHER
92	1	BREAKER COVER (NOT SHOWN)



NOTES:

* THESE ITEMS USED ON EXTERNAL PACING WISTOP AND 4-20MA WISTOP OPTIONS

** 115 VOLT EPM UNITS HAVE GREY LEAD WIRES. 230 VOLT UNITS HAVE RED LEAD WIRES.

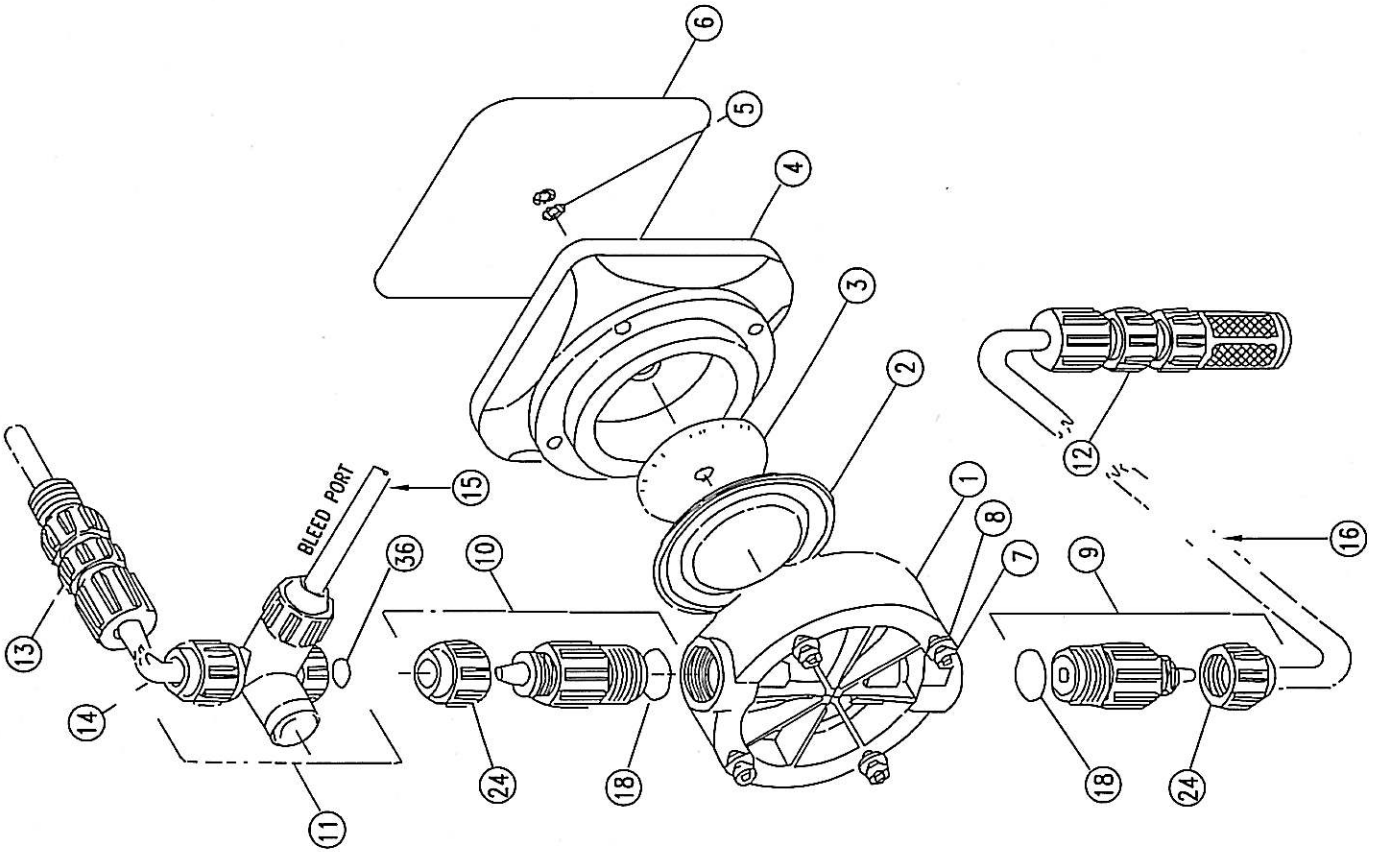
INDICATES PART IS INCLUDED IN REPAIR KIT.

1. LATER VERSIONS ARE SUPPLIED WITH AN INTEGRAL STRAIN RELIEF/CORD ASSEMBLY.
2. TERMINAL LOCATIONS ON THE CIRCUIT BOARD VARY DEPENDING ON THE CONTROL OPTION.
3. PUMP MODEL NUMBER AND SERIAL NUMBER ARE REQUIRED WHEN ORDERING PARTS.

NOTICE: THIS DRAWING IS THE PROPERTY OF AND CONTAINS DESIGN DATA WHICH ARE PROPRIETARY TO JACO FLUID SYSTEMS, INC. REPRODUCTION, USE OR TRANSFER OF THIS DRAWING OR ANY INFORMATION CONTAINED HEREIN TO OTHERS EXCEPT AS SPECIFICALLY AUTHORIZED IN CONNECTION WITH THIS PROJECT ONLY, IS NOT PERMITTED WITHOUT PRIOR WRITTEN APPROVAL OF JACO FLUID SYSTEMS, INC.

REVISIONS		SERIES E PUMP DRIVE PARTS	
1.) GENERAL UPDATE		DATE	10-01-92
		DR	J.L.
		CHKD	
		SCALE	
		DWG NO.	70067
		PAGE	84.01C
		REV.	1

JACO FLUID SYSTEMS, INC.
17 LEE BLVD, STE. D
MALVERN, PA 19355



ITEM #	QTY.	PART NAME
# 1	1	PUMP HEAD
#+ 2	1	DIAPHRAGM
3	1	DEFLECTION PLATE
4	1	ADAPTER
# 5	*1-3	DIAPHRAGM SHIMS
6	1	O-RING
# 7	4	PUMP HEAD SCREWS
# 8	4	PUMP HEAD WASHERS
#+ 9	1	SUCTION VALVE ASSY. W/O-RING
#+ 10	1	DISCHARGE VALVE ASSY. W/O-RING
11	1	BLEED VALVE ASSY. W/O-RING
12	1	FOOT VALVE / STRAINER ASSY.
13	1	INJECTION VALVE ASSY.
14	8'	DISCHARGE TUBING, WHITE PE
15	2'	RETURN TUBING, WHITE PE
16	4'	SUCTION TUBING, CLEAR PVC
18	2	O-RING (CHECK VALVE)
24	3	NUT (CHECK VALVE)
36	1	O-RING (BLEED VALVE)
NA		PUMP REPAIR KIT SEE # BELOW

* QUANTITY VARIES - SHIM AS REQUIRED

+ INDICATES RECOMMENDED SPARE PARTS

INDICATES PART INCLUDED IN REPAIR KIT

PUMP MODEL NUMBER AND SERIAL NUMBER ARE REQUIRED WHEN ORDERING PARTS. SEE NAMEPLATE ON TOP OF PUMP.

NOTICE: THIS DRAWING IS THE PROPERTY OF AND CONTAINS DESIGN DATA WHICH ARE PROPRIETARY TO JACO FLUID SYSTEMS, INC. REPRODUCTION, USE OR TRANSFER OF THIS DRAWING OR ANY INFORMATION CONTAINED HEREIN TO OTHERS EXCEPT AS SPECIFICALLY AUTHORIZED IN CONNECTION WITH THIS PROJECT ONLY, IS NOT PERMITTED WITHOUT PRIOR WRITTEN APPROVAL OF JACO FLUID SYSTEMS, INC.

REVISIONS

A) ADDED TUBING
2-24-92

JACO FLUID SYSTEMS, INC.

17 LEE BLVD. STE. D
MALVERN, PA 19355

SERIES E

LIQUID END PARTS

DATE 1-18-91

DR J.L.

CHKD

SCALE

DWG NO. 70068

PAGE 84.02C

REV. A