

ITEM	DESCRIPTION
1	PUMP HOUSING W/BOLTS(19), WASHERS & GASKETS
2	ECCENTRIC ASSY. W/SCREW(13) & SCALE
3	CROSSHEAD
4	CYLINDER
5	GLAND NUT
6	PLUNGER W/SCREW
7	LANTERN RING
8	VALVE ASSY. DISCH. (DOUBLE BALL) OPTIONAL
8A	VALVE ASSY. SUCT. (DOUBLE BALL) OPTIONAL
10	VALVE ASSY. DISCH. & SUCT. (SINGLE BALL) STD.
11	WASHER AND POINTER
12	TEE BOLT
13	ADJUSTING SCREW
19	BOLT W/WASHER (SET OF 4)
22	LOCK NUT
23	SET SCREW (SET OF 2)
24	SET SCREW
25	GREASE FITTING
26	GREASE FITTING
27	GREASE RELIEF FITTING
30	CLEVIS PIN
31	CONNECTING ROD ASSEMBLY
33	PACKING
34	KEY
41	COUPLING
43	GEAR REDUCER BOLT(SET OF 4)
44	MOTOR SUPPORT W/WASHER & BOLT (SET OF 4)
45	KEY
46	BASEPLATE
47	PURGE PLUG (OPTIONAL)
51	COUPLING GUARD
53	ECCENTRIC GUARD
54	BREATHER ASSY. (OPTIONAL)

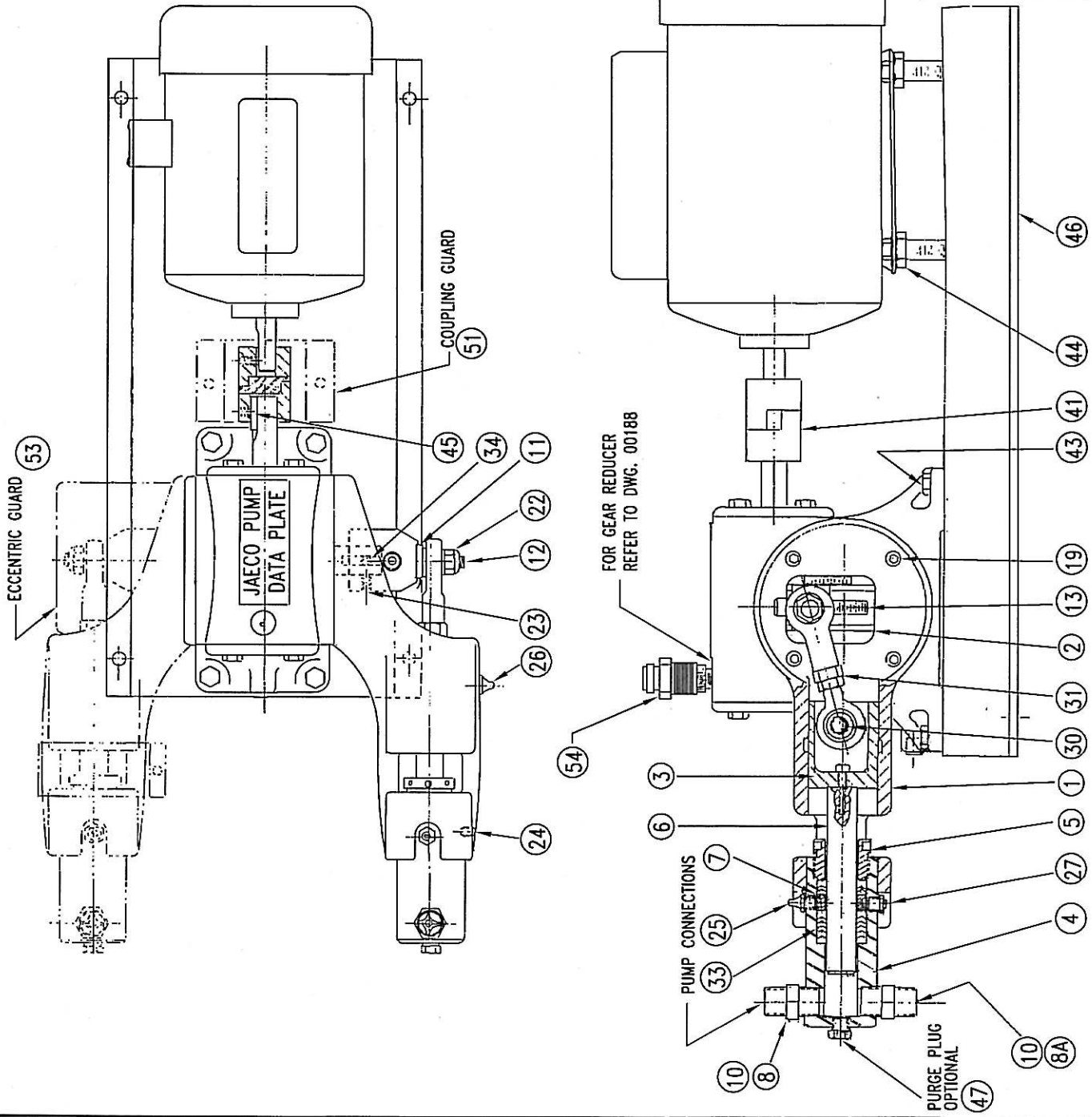
* INDICATES RECOMMENDED SPARE PARTS

WHEN ORDERING SPARE PARTS BE SURE TO GIVE PUMP SERIAL & MODEL NUMBERS

NOTICE: THIS DRAWING IS THE PROPERTY OF AND CONTAINS DESIGN DATA WHICH ARE PROPRIETARY TO JACO FLUID SYSTEMS, INC. REPRODUCTION, USE OR TRANSFER OF THIS DRAWING OR ANY INFORMATION CONTAINED HEREIN TO OTHERS EXCEPT AS SPECIFICALLY AUTHORIZED IN CONNECTION WITH THIS PROJECT ONLY, IS NOT PERMITTED WITHOUT PRIOR WRITTEN APPROVAL OF JACO FLUID SYSTEMS, INC.

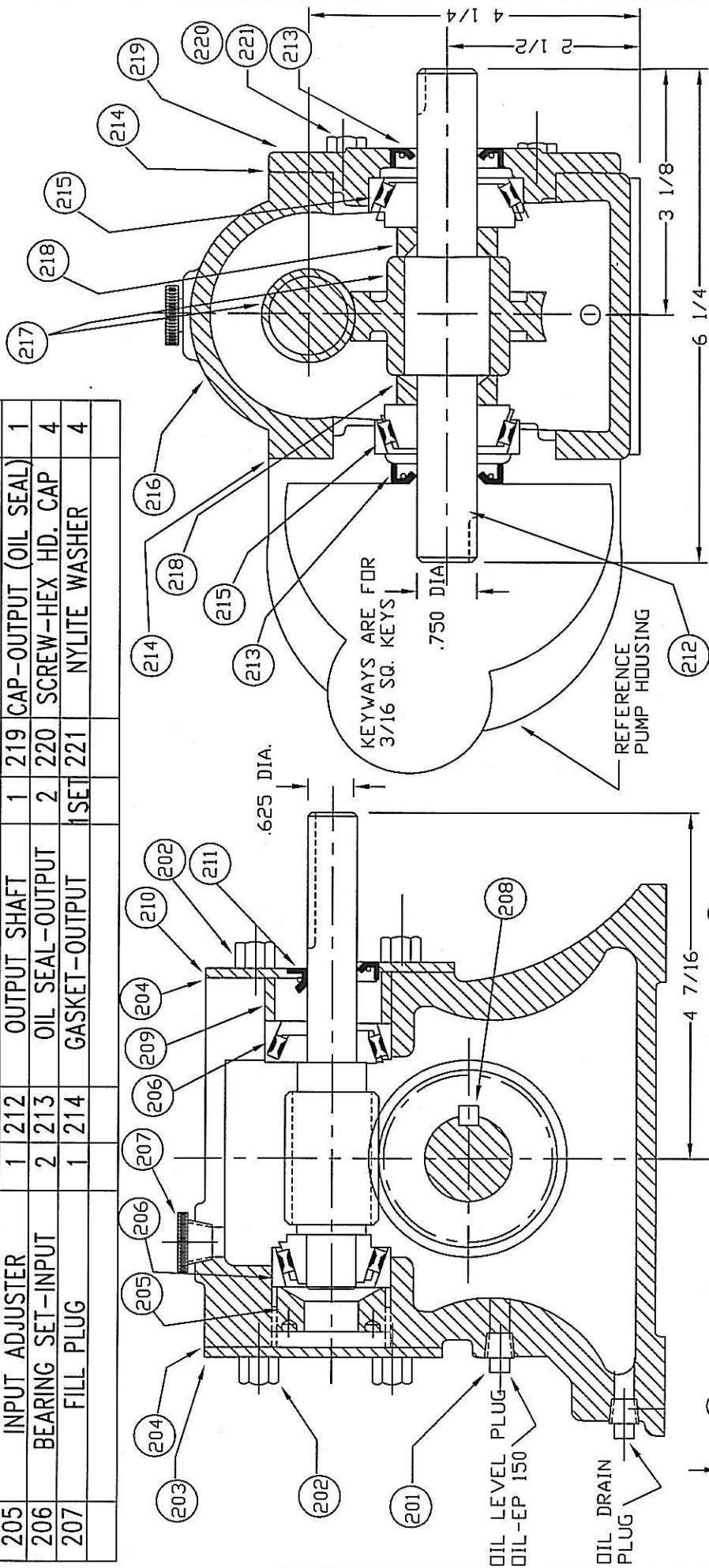
REVISIONS	
1) CHANGE PAGE NO. JFC	1/05
PARTS CROSS SECTION JAECCOPAK 1	
DATE 4-18-85	DR PRT
DWG NO. 00220	CHKD NONE
REV. 1	SCALE NONE

JACO FLUID SYSTEMS, INC.
17 LEE BLVD., STE. D
MALVERN, PA 19355-1234



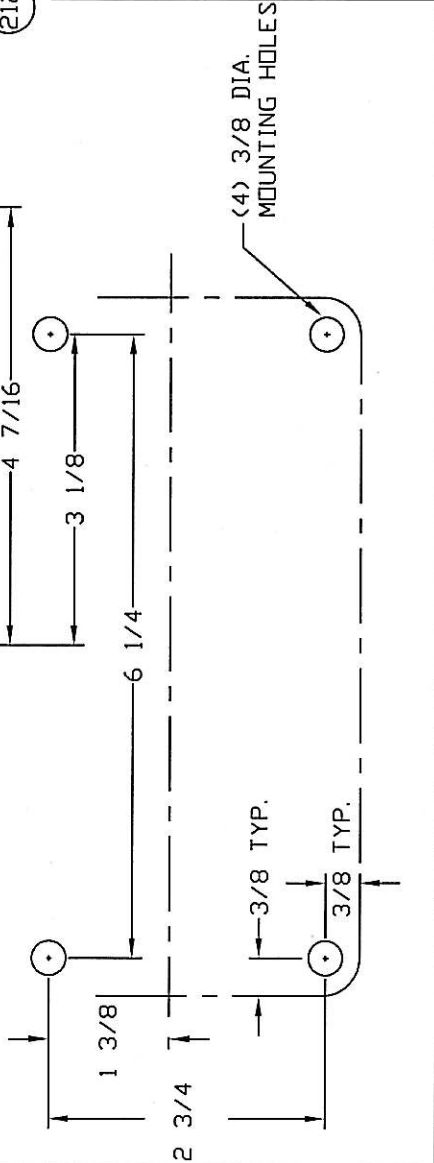
ITEM	DESCRIPTION	QTY	ITEM	DESCRIPTION	QTY	ITEM	DESCRIPTION	QTY.
201	OIL PLUG	2	208	KEY	1	215	BEARING SET OUTPUT	2
202	SCREW-HEX HD CAP	8	209	INPUT SPACER	1	216	HOUSING	1
203	CAP-INPUT(BLIND)	1	210	CAP-INPUT(OIL SEAL)	1	217	GEAR SET	1SET
204	GASKET-INPUT	2	211	OIL SEAL-INPUT	1	218	HUB SPACER	2
205	INPUT ADJUSTER	1	212	OUTPUT SHAFT	1	219	CAP-OUTPUT (OIL SEAL)	1
206	BEARING SET-INPUT	2	213	OIL SEAL-OUTPUT	2	220	SCREW-HEX HD. CAP	4
207	FILL PLUG	1	214	GASKET-OUTPUT	1SET	221	NYLITE WASHER	4

IMPORTANT: WHEN ORDERING SPARE PARTS, BE SURE TO INCLUDE PUMP MODEL NO. AND SERIAL NO.

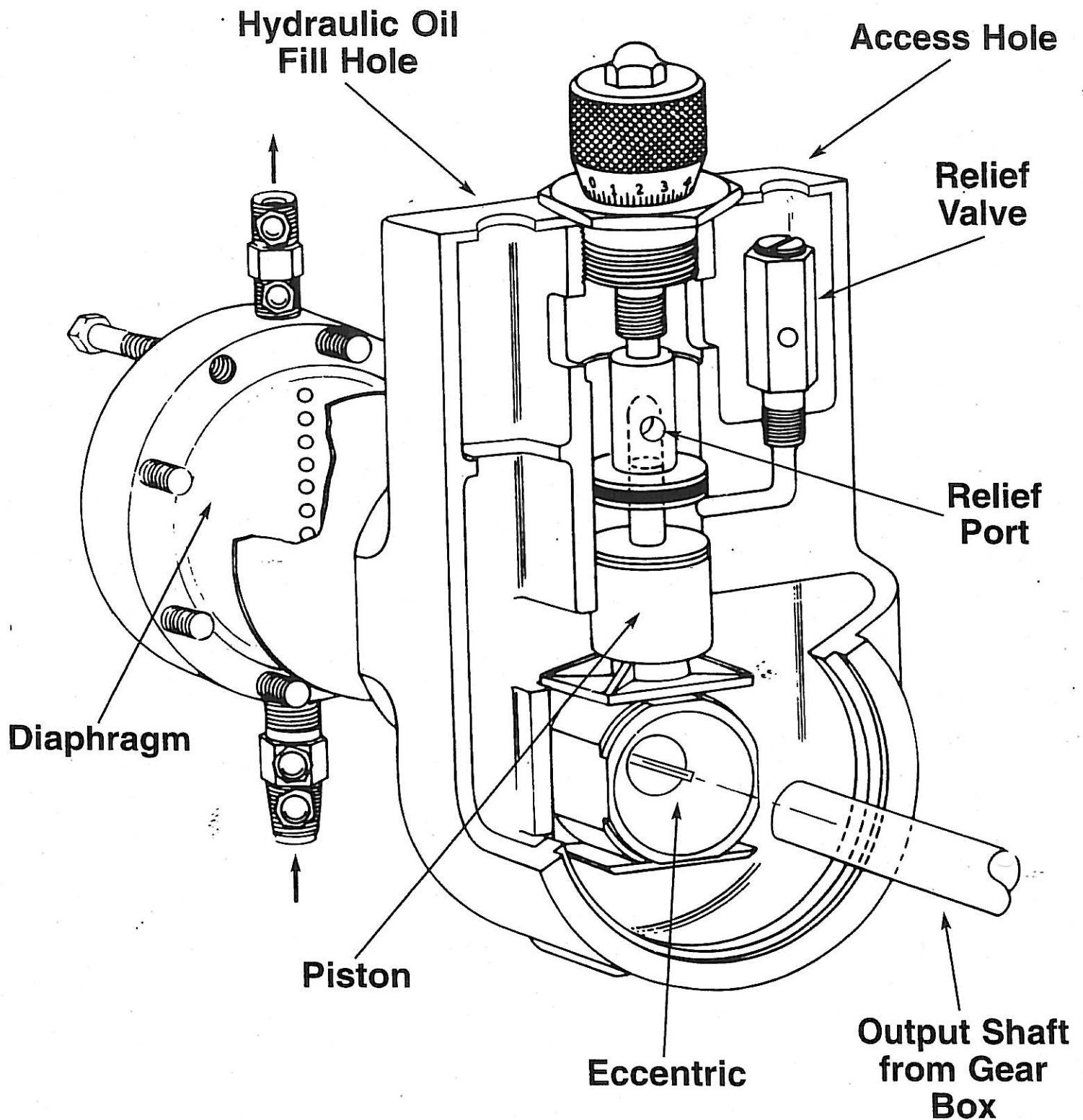


NOTICE: THIS DRAWING IS THE PROPERTY OF AND CONTAINS DESIGN DATA WHICH ARE PROPRIETARY TO JACO FLUID SYSTEMS, INC. REPRODUCTION, USE OR TRANSFER OF THIS DRAWING OR ANY INFORMATION CONTAINED HEREIN TO OTHERS EXCEPT AS SPECIFICALLY AUTHORIZED IN CONNECTION WITH THIS PROJECT ONLY, IS NOT PERMITTED WITHOUT PRIOR WRITTEN APPROVAL OF JACO FLUID SYSTEMS, INC.

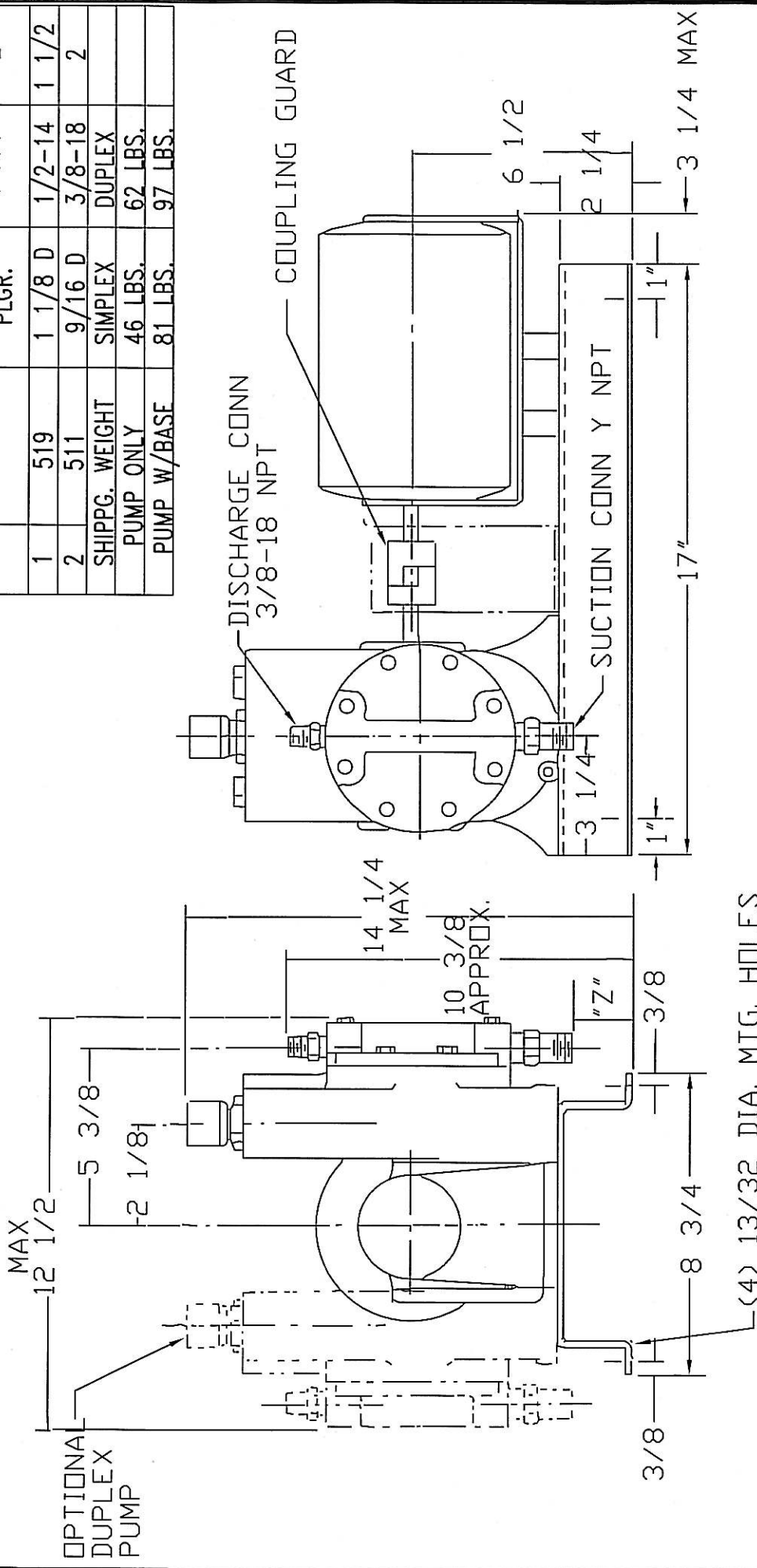
1) REDRAWN 5-25-05 JPC		JAECO FLUID SYSTEMS, INC. 17 LEE BLVD. STE. D MALVERN, PA 19355-1234	
UNLESS OTHERWISE SPECIFIED DIMENSIONS IN INCHES	DATE 8-30-88	GEAR REDUCER JAECOPAK 1	REV. 00188
MACHINE TOLERANCE DECIMAL ± .005 FRACTIONS ± 1/64 ANGLES ± 0°-30	DR PRT		PAGE 14.02C
	CHKD NONE		1
	SCALE NONE		



JaecoFram Cutaway



ITEM	MODEL NO.	EQUIV. PLGR.	Y NPT	"Z"
1	519	1 1/8 D	1/2-14	1 1/2
2	511	9/16 D	3/8-18	2
SHIPP. WEIGHT		SIMPLEX	DUPLEX	
PUMP ONLY		46 LBS.	62 LBS.	
PUMP W/BASE		81 LBS.	97 LBS.	



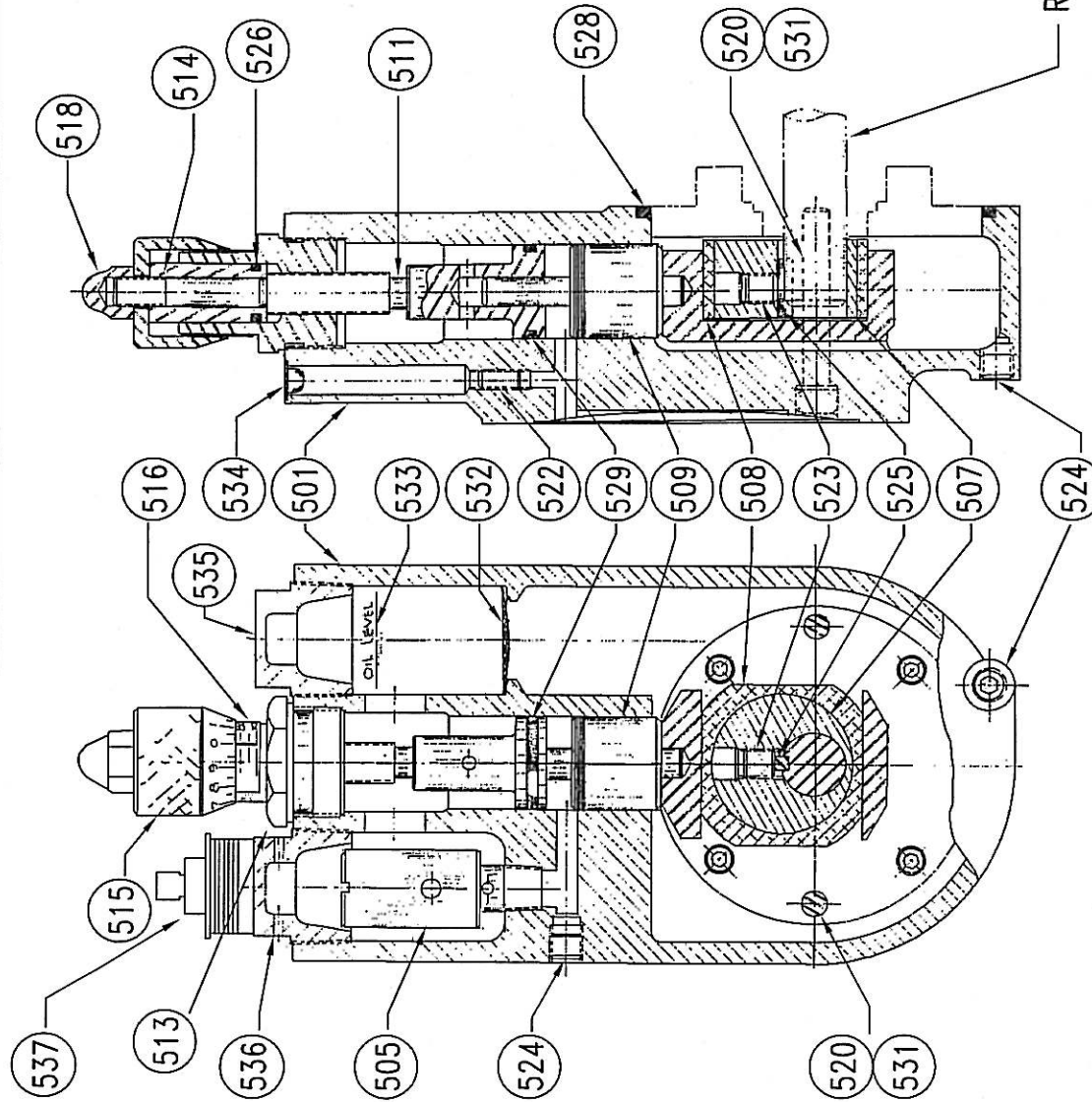
NOTICE: THIS DRAWING IS THE PROPERTY OF AND CONTAINS DESIGN DATA WHICH ARE PROPRIETARY TO JACO FLUID SYSTEMS, INC. REPRODUCTION, USE OR TRANSFER OF THIS DRAWING OR ANY INFORMATION CONTAINED HEREIN TO OTHERS EXCEPT AS SPECIFICALLY AUTHORIZED IN CONNECTION WITH THIS PROJECT ONLY, IS NOT PERMITTED WITHOUT PRIOR WRITTEN APPROVAL OF JACO FLUID SYSTEMS, INC.

REVISIONS		JACO FLUID SYSTEMS, INC.	
1.)	ADDED SHAG NUTS 10-10-86 TRC	17 LEE BLVD. STE. D MALVERN, PA. 19355-1234	
2.)	CHANGED PAGE NO. 1/05 JPC	DATE	4-24-85
		DR	PRT
		CHKD	
		SCALE	NONE
		DWG NO.	50157
		REV.	2
		PAGE	53.01E
		REV.	2

UNLESS OTHERWISE SPECIFIED DIMENSIONS ARE IN INCHES

MACHINE TOLERANCE
DECIMAL ± .005
FRACTIONS ± 1/64
ANGLES ± 0°-30

OUTLINE DIMENSIONS	
DATE	4-24-85
DR	PRT
CHKD	
SCALE	NONE
DWG NO.	50157
REV.	2



ITEM	QTY.	DESCRIPTION
501	1	HOUSING
505	1	RELIEF VALVE ASSEMBLY
507	1	ECCENTRIC BEARING
508	1	CROSSHEAD-PLUNGER ASSEMBLY
509	1	ADJUSTER GUIDE
511	1	BUSHING
513	1	KNOB
514	1	CAPACITY SCALE
515	1	NUT, ACORN
516	1	SCREW SOC. HD. CAP
518	2	SET SCREW SOC.(AIR BLEED)
520	1	SETScrew, SOC.
522	1	PIPEPLUG, FLUSH KEY
523	1	O-RING (BUSHING)
524	1	O-RING(HOUSING)
525	1	O-RING(ADJUSTER)
526	2	WASHER
528	1	SCREEN
529	1 QT.	OIL, EP50 #50076P020
531	1	CAP PLUG
532	1	CAP
533	1	CAP W/VENT HOLE
534	1	CAP WITH BREATHER ASS' (OPTION)

* * * * *

REFERENCE GEAR REDUCER OUTPUT SHAFT

SEE GEAR REDUCER DWG. NO. 50129 AND LIQUID END PARTS DWG. NO. 50131 FOR COMPLETE PUMP

NOTICE: THIS DRAWING IS THE PROPERTY OF JACO FLUID SYSTEMS, INC. REPRODUCTION, USE OR TRANSFER OF THIS DRAWING OR ANY INFORMATION CONTAINED HEREIN TO OTHERS EXCEPT AS SPECIFICALLY AUTHORIZED IN CONNECTION WITH THIS PROJECT ONLY, IS NOT PERMITTED WITHOUT PRIOR WRITTEN APPROVAL OF JACO FLUID SYSTEMS, INC.

REVISIONS	
A.	ADDED IT 536 CAP W/ VENT HOLE 11-27-85 TR
B.	REVISED R.V. & SCREEN 9-12-89 TR
C.	ADDED #537 CAP; CHANGED PAGE NO. 1/05 JPC

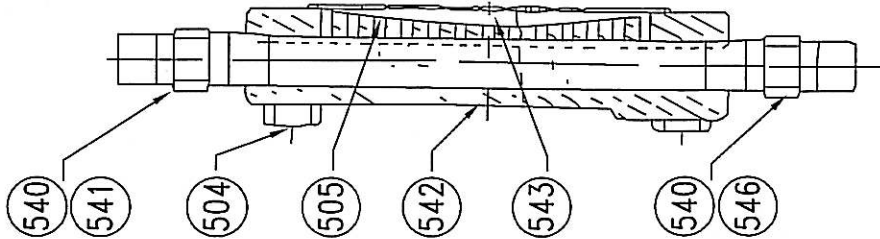
JAECO FLUID SYSTEMS, INC.	
17 LEE BLVD. STE. D MALVERN, PA 19355-1234	
DATE	11-1-83
DR	PRT
CHKD	
SCALE	NONE
PARTS DRAWING, PUMP DRIVE	JAECOFRAM 1
DWG NO.	50130
REV.	C

UNLESS OTHERWISE SPECIFIED
DIMENSIONS ARE IN INCHES

MACHINE TOLERANCE
DECIMAL ± .005
FRACTIONS ± 1/64
ANGLES ± 0°-30

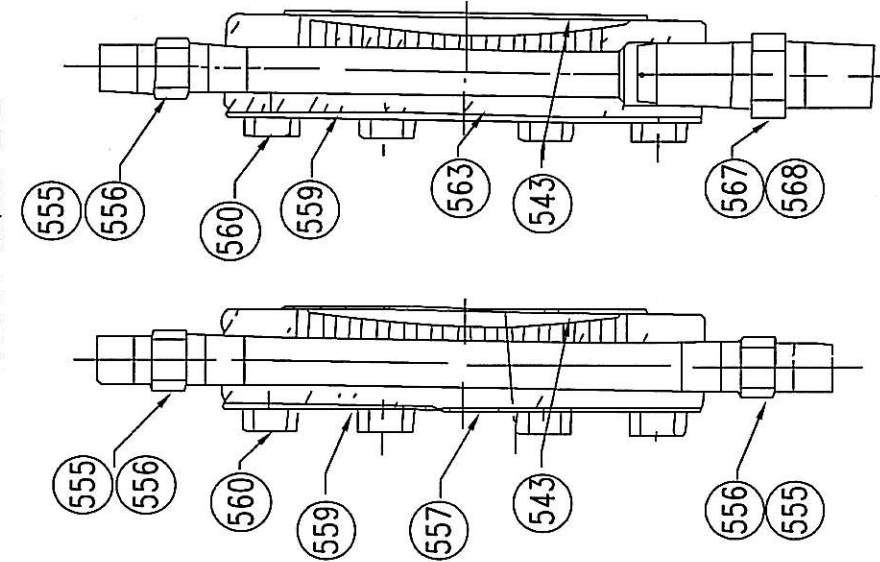
* INDICATES RECOMMENDED SPARE PARTS
WHEN ORDERING SPARE PARTS BE SURE
TO GIVE PUMP SERIAL & MODEL NUMBERS

METALLIC LIQUID END

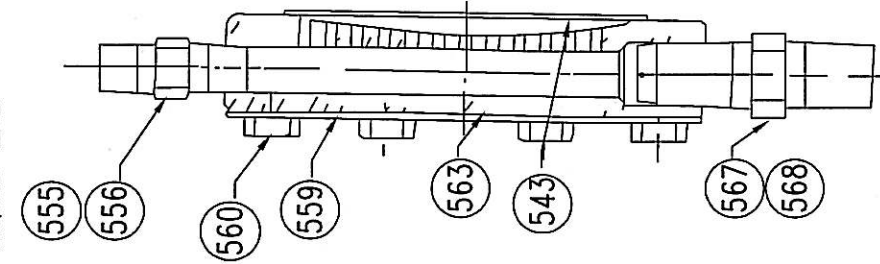


MODEL 511

PLASTIC LIQUID END



MODEL 511



MODEL 519

ITEM	QTY.	DESCRIPTION	MODEL	END
540	2	3/8 VALVE ASSBY. SINGLE BALL DISC./SUCTION STD	511	METALLIC
541	1	3/8 VALVE ASSBY. DOUBLE BALL DISCH. OPTION	511	METALLIC
542	1	DIAPHRAGM HEAD	511	METALLIC
543	1	DIAPHRAGM	511	METALLIC
544	4	3/8 BOLT(LONG)	511	METALLIC
545	4	3/8 BOLT(SHORT)	511	METALLIC
546	1	3/8 VALVE ASSBY. DOUBLE BALL SUCTION. OPTION	511	METALLIC
540	1	3/8 VALVE ASSBY. SINGLE BALL DISC. STD	519	METALLIC
541	1	3/8 VALVE ASSBY. DOUBLE BALL DISCH. OPTION	519	METALLIC
549	1	DIAPHRAGM HEAD	519	METALLIC
543	1	DIAPHRAGM	519	METALLIC
544	4	3/8 BOLT(LONG)	519	METALLIC
545	4	3/8 BOLT(SHORT)	519	METALLIC
553	1	1/2 VALVE ASSBY. SINGLE BALL SUCTION. STD	519	METALLIC
554	1	1/2 VALVE ASSBY. DOUBLE BALL SUCTION. OPT.	519	METALLIC
555	2	3/8 VALVE ASSBY. SINGLE BALL DISC./SUCTION STD	519	PLASTIC
556	2	3/8 VALVE ASSBY. DOUBLE BALL DISCH./SUCTION. OPTION	519	PLASTIC
557	1	DIAPHRAGM HEAD	519	PLASTIC
543	1	DIAPHRAGM	519	PLASTIC
559	1	DIAPHRAGM HEAD PLATE	519	PLASTIC
560	8	3/8 BOLT	519	PLASTIC
555	1	3/8 VALVE ASSBY. SINGLE BALL DISC. STD	519	PLASTIC
556	1	3/8 VALVE ASSBY. DOUBLE BALL DISCH. OPTION	519	PLASTIC
563	1	DIAPHRAGM HEAD	519	PLASTIC
543	1	DIAPHRAGM	519	PLASTIC
559	1	DIAPHRAGM HEAD PLATE	519	PLASTIC
560	8	3/8 BOLT	519	PLASTIC
567	1	1/2 VALVE ASSBY. SINGLE BALL SUCTION. STD	519	PLASTIC
568	1	1/2 VALVE ASSBY. DOUBLE BALL SUCTION. OPT.	519	PLASTIC

* INDICATES RECOMMENDED SPARE PARTS WHEN ORDERING SPARE PARTS BE SURE TO GIVE PUMP SERIAL & MODEL NUMBERS

REVISIONS		JAECO FLUID SYSTEMS, INC. 17 LEE BLVD. STE. D MALVERN, PA 19355-1234	
DATE	11-15-83	PARTS DRAWING-LIQUID END	JAECOFRAM 1
DR	PRT	DWG NO.	50131
CHKD		REV.	
SCALE	NONE	PAGE	54.02B
			0

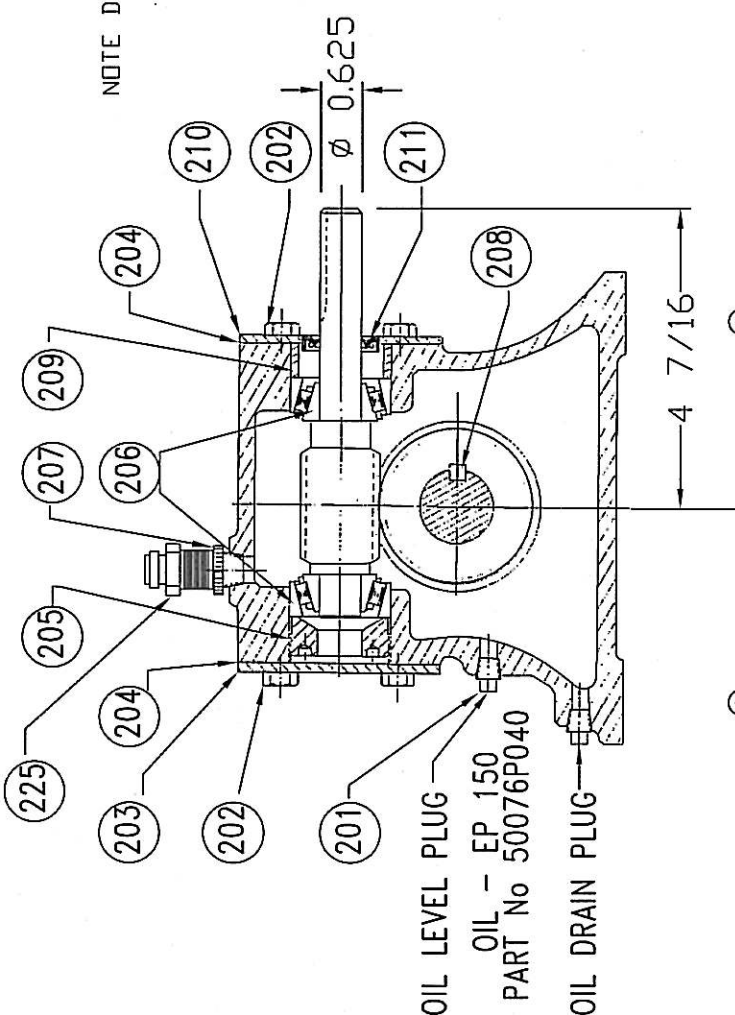
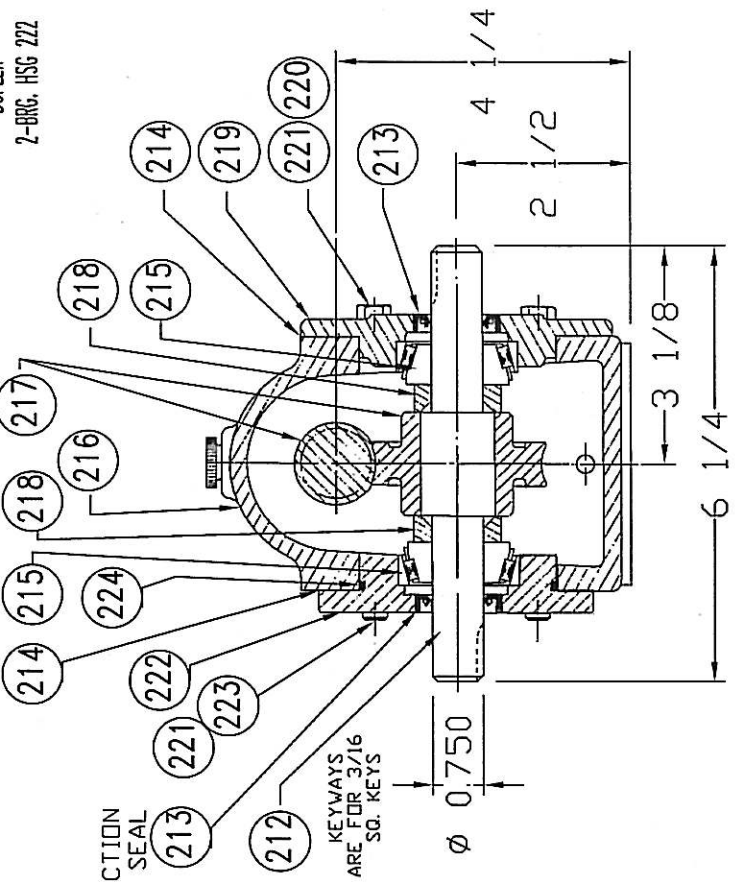
NOTICE: THIS DRAWING IS THE PROPERTY OF AND CONTAINS DESIGN DATA WHICH ARE PROPRIETARY TO JAECO FLUID SYSTEMS INC. REPRODUCTION, USE OR TRANSFER OF THIS DRAWING OR ANY INFORMATION CONTAINED HEREIN TO OTHERS EXCEPT AS SPECIFICALLY AUTHORIZED IN CONNECTION WITH THIS PROJECT ONLY, IS NOT PERMITTED WITHOUT PRIOR WRITTEN APPROVAL OF JAECO FLUID SYSTEMS, INC.

IMPORTANT: WHEN ORDERING
SPARE PARTS BE SURE TO
INCLUDE PUMP MODEL NO. AND
SERIAL NO.

ASSEMBLY INCLUDING
50129-GOX1

1-BRG. HSG222
SIMPLEX 1-CAP OUTPUT 219
50129-GOX2
DUPLEX
2-BRG. HSG 222

ITEM	DESCRIPTION	QTY	ITEM	DESCRIPTION	QTY	ITEM	DESCRIPTION	QTY	ITEM	DESCRIPTION	QTY
201	OIL PLUG	2	209	INPUT SPACER	1	217	GEAR SET	1	SET		
202	SCREW-HEX HD CAP	8	210	CAP-INPUT(OIL SEAL)	1	218	HUB SPACER	2			
203	CAP-INPUT(BLIND)	1	211	OIL SEAL-INPUT	1	219	CAP-OUTPUT(OIL SEAL)	1			
204	GASKET-INPUT	2	212	OUTPUT SHAFT	1	220	SCREW-HEX HD CAP	4			
205	INPUT ADJUSTER	1	213	OIL SEAL-OUTPUT	2	221	NYLITE WASHER	8			
206	BEARING SET-INPUT	2	214	GASKET-OUTPUT	1	222	BEARING HOUSING	1			
207	FILL PLUG	1	215	BEARING SET-OUTPUT	2	223	SCREW-SOC HD CAP	4			
208	KEY	1	216	HOUSING	1	224	O RING				
						225	BREATHER ASSY. (OPT.)	1			



NOTICE: THIS DRAWING IS THE PROPERTY OF AND CONTAINS DESIGN DATA WHICH ARE PROPRIETARY TO JACO FLUID SYSTEMS, INC. REPRODUCTION, USE OR TRANSFER OF THIS DRAWING OR ANY INFORMATION CONTAINED HEREIN TO OTHERS EXCEPT AS SPECIFICALLY AUTHORIZED IN CONNECTION WITH THIS PROJECT ONLY, IS NOT PERMITTED WITHOUT PRIOR WRITTEN APPROVAL OF JACO FLUID SYSTEMS, INC.

REVISIONS
1) CHANGED PAGE NO ADDED #225 JPC 1/05

UNLESS OTHERWISE SPECIFIED DIMENSIONS ARE IN INCHES

MACHINE TOLERANCE
DECIMAL ± .005
FRACTIONS ± 1/64
ANGLES ± 0°-30

JACO FLUID SYSTEMS, INC. 17 LEE BLVD. STE. D MALVERN, PA 19355-1234	
DATE	9-6-83
DR	PRT
CHKD	
SCALE	NONE
GEAR REDUCER-JAECOFRAM 1	
DWG NO.	50129
REV.	
PAGE	54.03C
	1